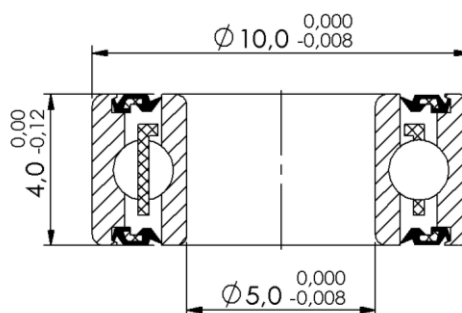


Marwi item: CB-010
Standard bearing number: MR105 2RS
Dimension (mm): 5 x 10 x 4

Scale 1:1



Scale 5:1



Technical specifications:

Races:	CrMo
Balls:	CrMo (HRC 61-66)
Retainer:	Steel
Sealing:	Rubber 2RS (light contact)
Grease:	Multemp SRL (Kyodo Yushi)
Tolerance:	ABEC-3
Quantity of balls:	9 pcs
Dimension of balls:	1,3mm
Basic dynamic load rating:	0,498 kN
Basic static load rating:	0,198 kN

Applications:

Frame (suspension pivot):	Various brands
Pedal:	Various brands