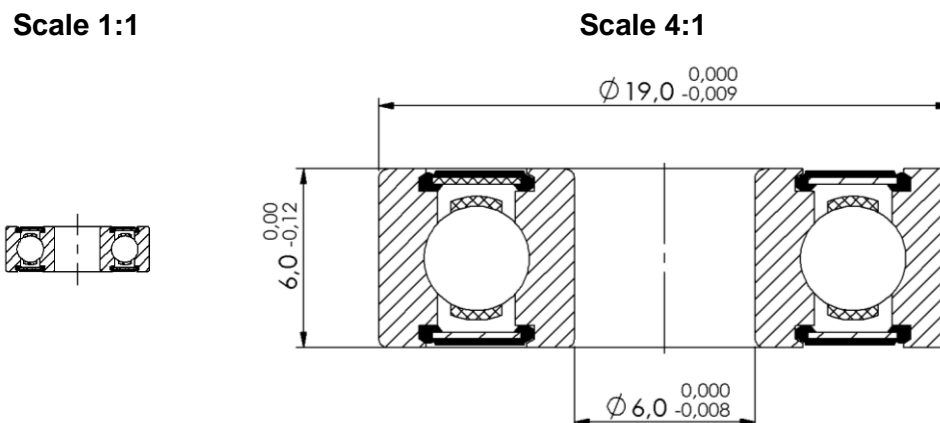


Marwi item: CB-025
Standard bearing number: 626 2RS
Dimension (mm): 6 x 19 x 6



Technical specifications:

Races:	CrMo
Balls:	CrMo (HRC 61-66)
Retainer:	Steel
Sealing:	Rubber 2RS (light contact)
Grease:	Multemp SRL (Kyodo Yushi)
Tolerance:	ABEC-3
Quantity of balls:	6 pcs
Dimension of balls:	3,5mm
Basic dynamic load rating:	2,340 kN
Basic static load rating:	0,885 kN

Applications:

Frame (suspension pivot):	Canyon and various other brands
Pedal:	Various brands