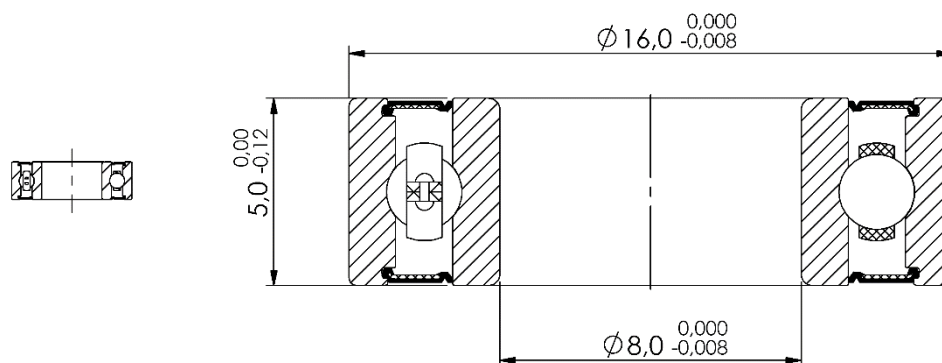


**Marwi item:** CB-040  
**Standard bearing number:** 688 2RS  
**Dimension (mm):** 8 x 16 x 5

Scale 1:1

Scale 5:1



### Technical specifications:

Races:	CrMo
Balls:	CrMo (HRC 61-66)
Retainer:	Steel
Sealing:	Rubber 2RS (light contact)
Grease:	Multemp SRL (Kyodo Yushi)
Tolerance:	ABEC-3
Quantity of balls:	11 pcs
Dimension of balls:	2,0mm
Basic dynamic load rating:	1,252 kN
Basic static load rating:	0,592 kN

### Applications:

Hub / wheel:	American classic and various other brands
Frame (suspension pivot):	Various brands
Pulley:	Various brands