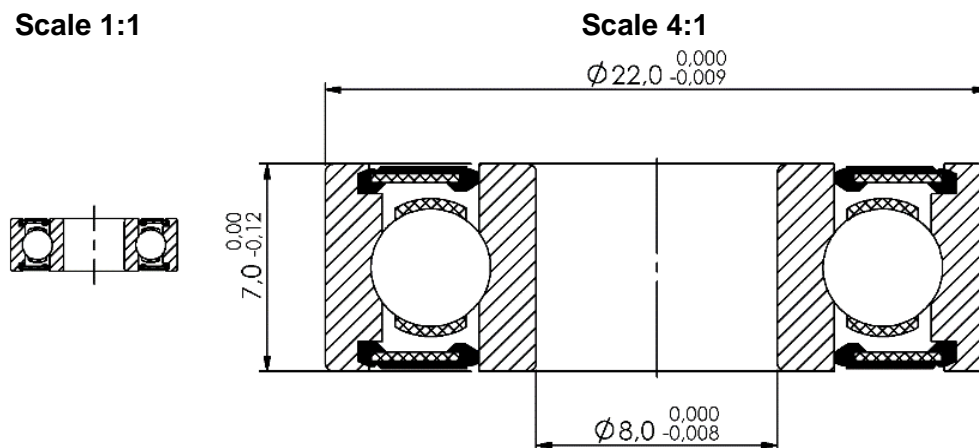


Marwi item: CB-042
Standard bearing number: 608 2RS
Dimension (mm): 8 x 22 x 7



Technical specifications:

Races:	CrMo
Balls:	CrMo (HRC 61-66)
Retainer:	Steel
Sealing:	Rubber 2RS (light contact)
Grease:	Multemp SRL (Kyodo Yushi)
Tolerance:	ABEC-3
Quantity of balls:	7 pcs
Dimension of balls:	3,969mm (5/32")
Basic dynamic load rating:	3,350 kN
Basic static load rating:	1,400 kN

Applications:

Hub / wheel:	Mavic, Novatec and many other brands
Frame (suspension pivot):	Various brands
Pulley:	Various brands