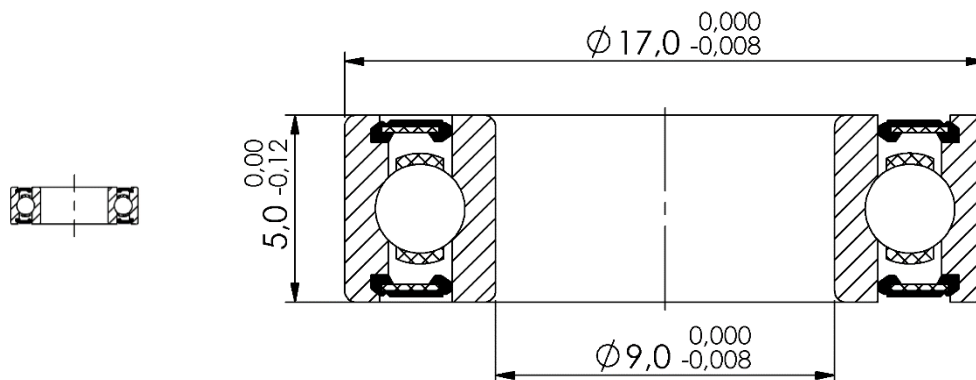


**Marwi item:** CB-050  
**Standard bearing number:** 689 2RS  
**Dimension (mm):** 9 x 17 x 5

Scale 1:1

Scale 5:1



### Technical specifications:

<b>Races:</b>	CrMo
<b>Balls:</b>	CrMo (HRC 61-66)
<b>Retainer:</b>	Steel
<b>Sealing:</b>	Rubber 2RS (light contact)
<b>Grease:</b>	Multemp SRL (Kyodo Yushi)
<b>Tolerance:</b>	ABEC-3
<b>Quantity of balls:</b>	9 pcs
<b>Dimension of balls:</b>	2,381mm (3/32")
<b>Basic dynamic load rating:</b>	1,720 kN
<b>Basic static load rating:</b>	0,820 kN

### Applications:

<b>Hub / wheel:</b>	Various brands
<b>Frame (suspension pivot):</b>	Various brands