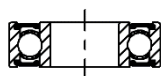
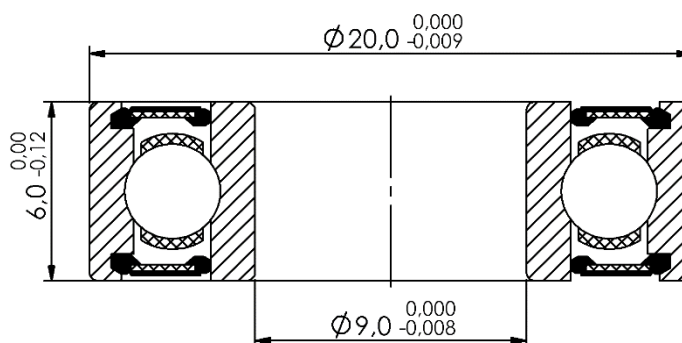


Marwi item: CB-051
Standard bearing number: 699 2RS
Dimension (mm): 9 x 20 x 6

Scale 1:1



Scale 4:1



Technical specifications:

Races:	CrMo
Balls:	CrMo (HRC 61-66)
Retainer:	Steel
Sealing:	Rubber 2RS (light contact)
Grease:	Multemp SRL (Kyodo Yushi)
Tolerance:	ABEC-3
Quantity of balls:	8 pcs
Dimension of balls:	3,175mm (1/8")
Basic dynamic load rating:	2,480 kN
Basic static load rating:	1,090 kN

Applications:

Hub / wheel:	Planet-X and some other brands
Frame (suspension pivot):	Various brands