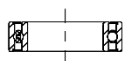
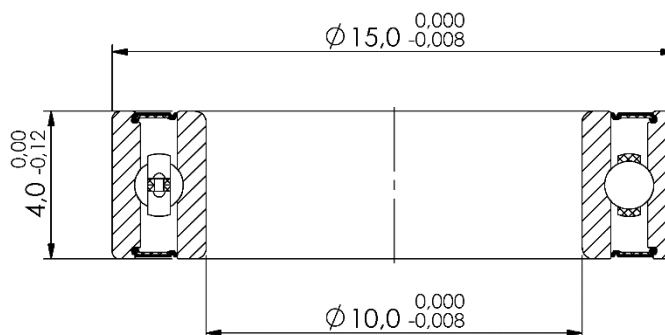


**Marwi item:** CB-060  
**Standard bearing number:** 6700 2RS  
**Dimension (mm):** 10 x 15 x 4

Scale 1:1



Scale 5:1



### Technical specifications:

Races:	CrMo
Balls:	CrMo (HRC 61-66)
Retainer:	Steel
Sealing:	Rubber 2RS (light contact)
Grease:	Multemp SRL (Kyodo Yushi)
Tolerance:	ABEC-3
Quantity of balls:	11 pcs
Dimension of balls:	1,3mm
Basic dynamic load rating:	0,480 kN
Basic static load rating:	0,240 kN

### Applications:

Hub / wheel:	Various brands
Frame (suspension pivot):	Various brands