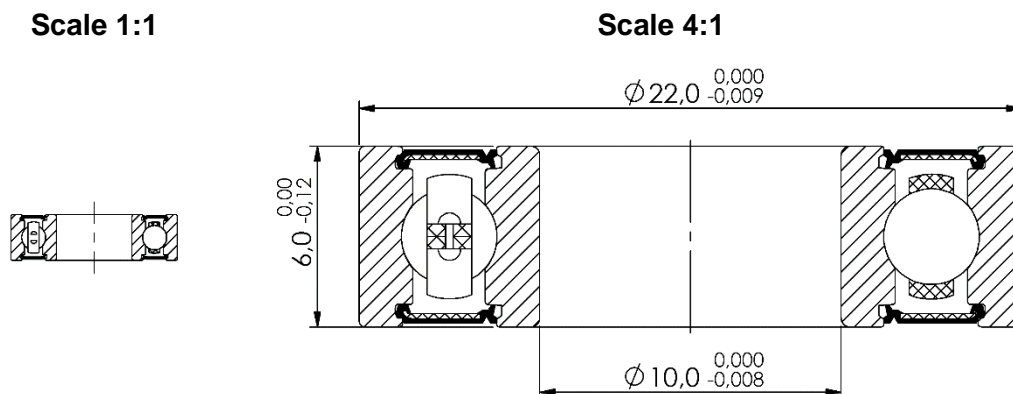


Marwi item: CB-064
Standard bearing number: 6900 2RS
Dimension (mm): 10 x 22 x 6



Technical specifications:

Races:	CrMo
Balls:	CrMo (HRC 61-66)
Retainer:	Steel
Sealing:	Rubber 2RS (light contact)
Grease:	Multemp SRL (Kyodo Yushi)
Tolerance:	ABEC-3
Quantity of balls:	9 pcs
Dimension of balls:	3,175mm (1/8")
Basic dynamic load rating:	2,490 kN
Basic static load rating:	1,130 kN

Applications:

Hub / wheel:	FSA, Stan's, HED and many other brands
Frame (suspension pivot):	Various brands