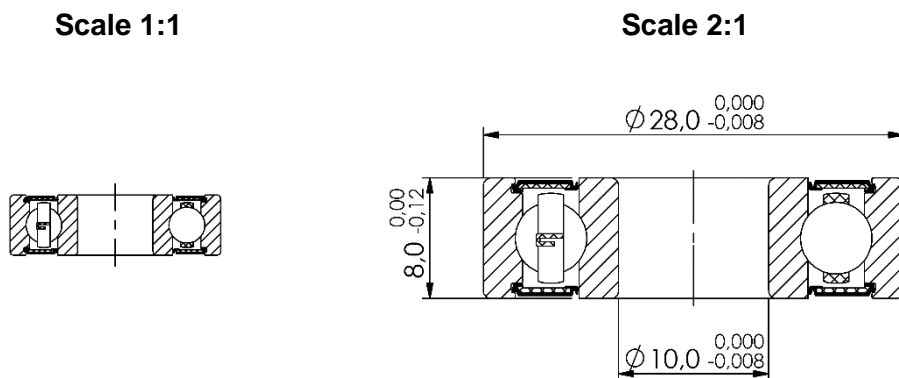


Marwi item: CB-066
Standard bearing number: MR16100 2RS
Dimension (mm): 10 x 28 x 8



Technical specifications:

Races:	CrMo
Balls:	CrMo (HRC 61-66)
Retainer:	Steel
Sealing:	Rubber 2RS (light contact)
Grease:	Multemp SRL (Kyodo Yushi)
Tolerance:	ABEC-3
Quantity of balls:	7 pcs
Dimension of balls:	4,763mm (3/16")
Basic dynamic load rating:	5,100 kN
Basic static load rating:	2,290 kN

Applications:

Hub / wheel: DT Swiss and various other brands