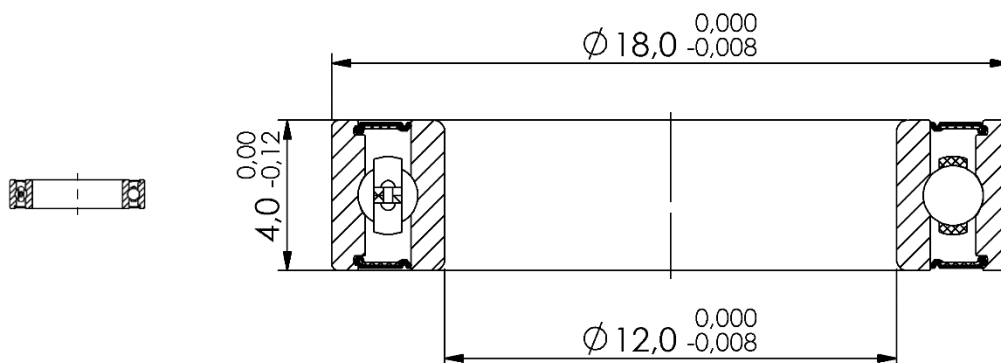


Marwi item: CB-070
Standard bearing number: 6701 2RS
Dimension (mm): 12 x 18 x 4

Scale 1:1

Scale 5:1



Technical specifications:

Races:	CrMo
Balls:	CrMo (HRC 61-66)
Retainer:	Steel
Sealing:	Rubber 2RS (light contact)
Grease:	Multemp SRL (Kyodo Yushi)
Tolerance:	ABEC-3
Quantity of balls:	13 pcs
Dimension of balls:	1,588mm (1/16")
Basic dynamic load rating:	0,910 kN
Basic static load rating:	0,530 kN

Applications:

Hub / wheel: Various brands