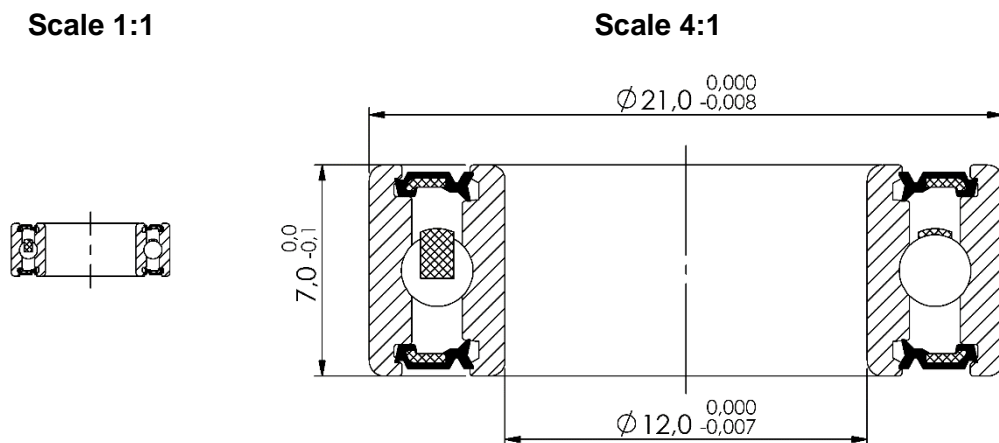


Marwi item: CB-072
Standard bearing number: 63801 2RS
Dimension (mm): 12 x 21 x 7



Technical specifications:

| | |
|-----------------------------------|----------------------------|
| Races: | CrMo |
| Balls: | CrMo (HRC 61-66) |
| Retainer: | Steel |
| Sealing: | Rubber 2RS (light contact) |
| Grease: | Multemp SRL (Kyodo Yushi) |
| Tolerance: | ABEC-3 |
| Quantity of balls: | 12 pcs |
| Dimension of balls: | 2,381mm (1/16") |
| Basic dynamic load rating: | 1,915 kN |
| Basic static load rating: | 1,041 kN |

Applications:

Hub / wheel: Various brands