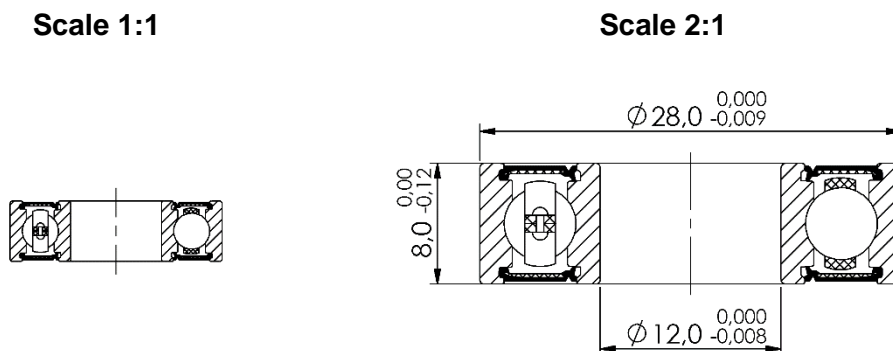


Marwi item: CB-075
Standard bearing number: 6001 2RS
Dimension (mm): 12 x 28 x 8



Technical specifications:

Races:	CrMo
Balls:	CrMo (HRC 61-66)
Retainer:	Steel
Sealing:	Rubber 2RS (light contact)
Grease:	Multemp SRL (Kyodo Yushi)
Tolerance:	ABEC-3
Quantity of balls:	8 pcs
Dimension of balls:	4,763mm (3/16")
Basic dynamic load rating:	5,100 kN
Basic static load rating:	2,370 kN

Applications:

Hub / wheel:	Mavic, Campagnolo, Sturmey Archer, HED, Hope, Fulcrum, Planet-X and and many more brands
Frame (suspension pivot):	Various brands