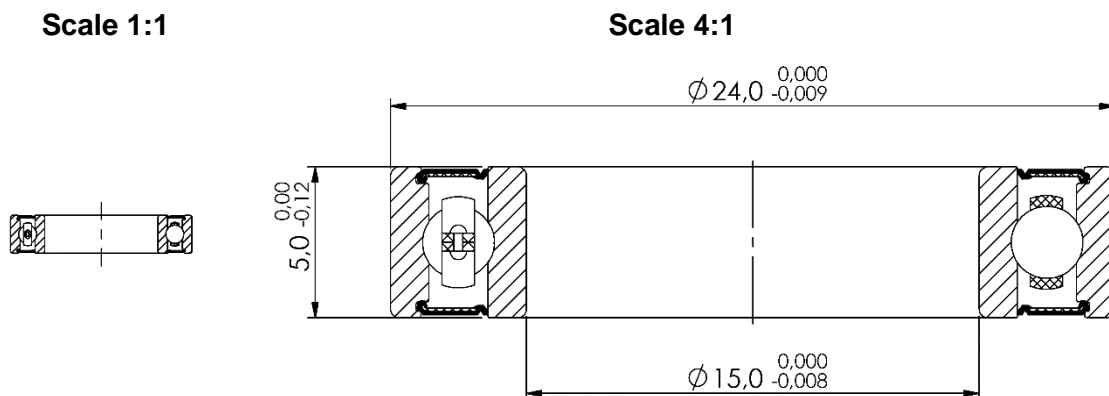


**Marwi item:** CB-081  
**Standard bearing number:** 6802 2RS  
**Dimension (mm):** 15 x 24 x 5



### Technical specifications:

Races:	CrMo
Balls:	CrMo (HRC 61-66)
Retainer:	Steel
Sealing:	Rubber 2RS (light contact)
Grease:	Multemp SRL (Kyodo Yushi)
Tolerance:	ABEC-3
Quantity of balls:	14 pcs
Dimension of balls:	2,381mm (3/32")
Basic dynamic load rating:	2,070 kN
Basic static load rating:	1,260 kN

### Applications:

Hub / wheel:	DT Swiss, Mavic, Specialized, Bontrager, SRAM, Hope, Stan's, Reynolds, Zipp and many other brands
Frame (suspension pivot):	Various brands