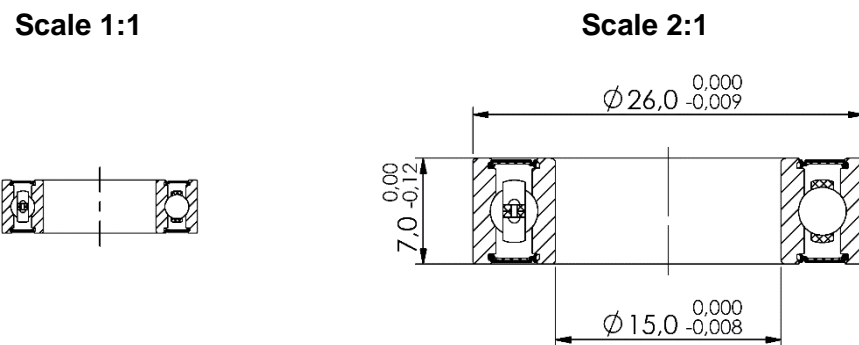


Marwi item: CB-083
Standard bearing number: MR15267 2RS
Dimension (mm): 15 x 26 x 7



Technical specifications:

Races:	CrMo
Balls:	CrMo (HRC 61-66)
Retainer:	Steel
Sealing:	Rubber LLB (non contact)
Grease:	Multemp SRL (Kyodo Yushi)
Tolerance:	ABEC-3
Quantity of balls:	11 pcs
Dimension of balls:	3,175mm (1/8")
Basic dynamic load rating:	3,550 kN
Basic static load rating:	1,850 kN

Applications:

Hub / wheel:	American Classic, Easton, Halo, HED and many other brands
Frame (suspension pivot):	Various brands