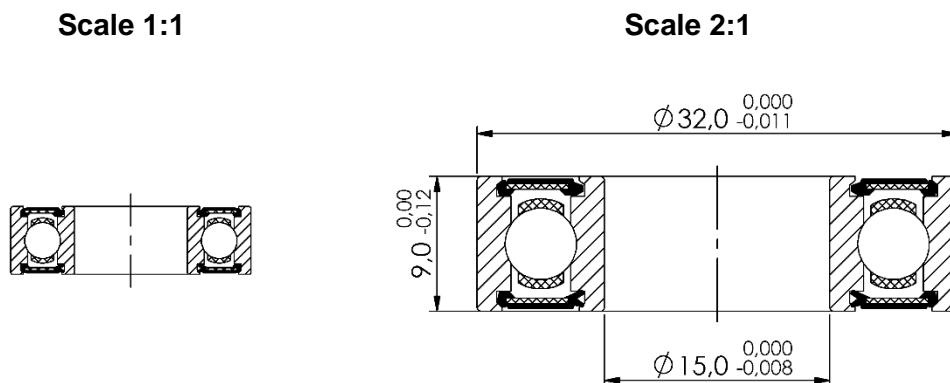


**Marwi item:** CB-086  
**Standard bearing number:** 6002 2RS  
**Dimension (mm):** 15 x 32 x 9



### Technical specifications:

Races:	CrMo
Balls:	CrMo (HRC 61-66)
Retainer:	Steel
Sealing:	Rubber 2RS (light contact)
Grease:	Multemp SRL (Kyodo Yushi)
Tolerance:	ABEC-3
Quantity of balls:	9 pcs
Dimension of balls:	4,762mm (3/16")
Basic dynamic load rating:	5,600 kN
Basic static load rating:	2,830 kN

### Applications:

Hub / wheel:	Hope, Stans and various other brands
Frame (suspension pivot):	Various brands