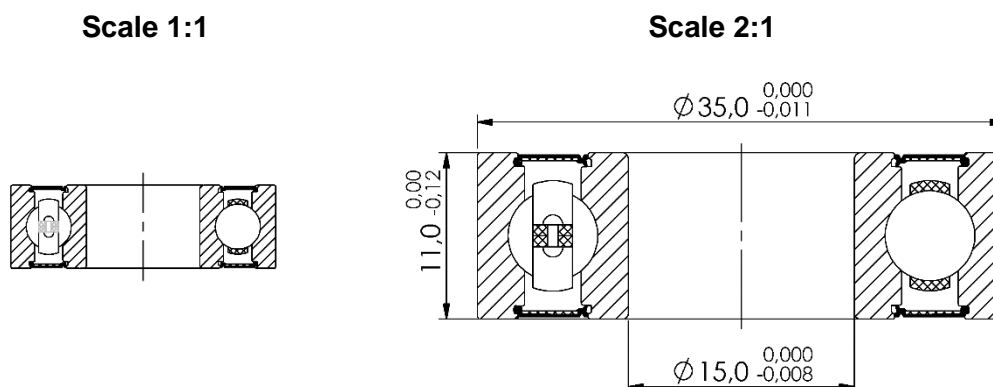


Marwi item: CB-088
Standard bearing number: 6202 2RS
Dimension (mm): 15 x 35 x 11



Technical specifications:

Races:	CrMo
Balls:	CrMo (HRC 61-66)
Retainer:	Steel
Sealing:	Rubber 2RS (light contact)
Grease:	Multemp SRL (Kyodo Yushi)
Tolerance:	ABEC-3
Quantity of balls:	8 pcs
Dimension of balls:	5,953mm (15/64")
Basic dynamic load rating:	7,650 kN
Basic static load rating:	3,750 kN

Applications:

Hub / wheel:	Various brands
Frame (suspension pivot):	Orange Bikes and some other brands