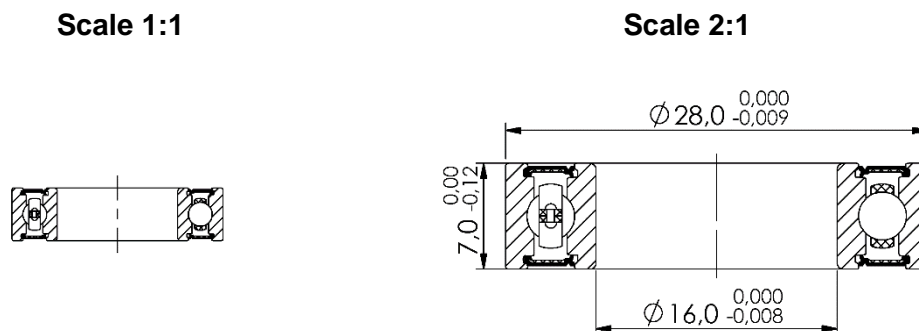


Marwi item: CB-091
Standard bearing number: MR16287 2RS
Dimension (mm): 16 x 28 x 7



Technical specifications:

Races:	CrMo
Balls:	CrMo (HRC 61-66)
Retainer:	Steel
Sealing:	Rubber LLB (non contact)
Grease:	Multemp SRL (Kyodo Yushi)
Tolerance:	ABEC-3
Quantity of balls:	12 pcs
Dimension of balls:	3,175mm (1/8")
Basic dynamic load rating:	2,150 kN
Basic static load rating:	1,230 kN

Applications:

Bottom bracket: Various brands