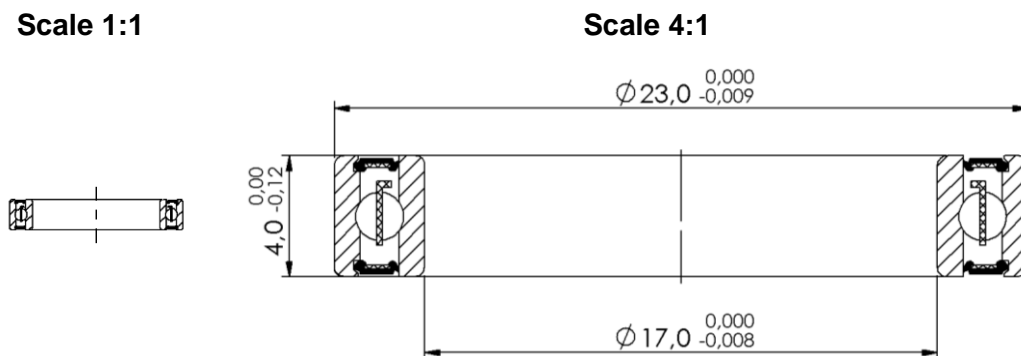


Marwi item: CB-100
Standard bearing number: 6703 2RS
Dimension (mm): 17 x 23 x 4



Technical specifications:

Races:	CrMo
Balls:	CrMo (HRC 61-66)
Retainer:	Steel
Sealing:	Rubber 2RS (light contact)
Grease:	Multemp SRL (Kyodo Yushi)
Tolerance:	ABEC-3
Quantity of balls:	15 pcs
Dimension of balls:	1,588mm (1/16")
Basic dynamic load rating:	0,960 kN
Basic static load rating:	0,610 kN

Applications:

Hub / wheel:	Various brands
Bottom bracket:	Various brands