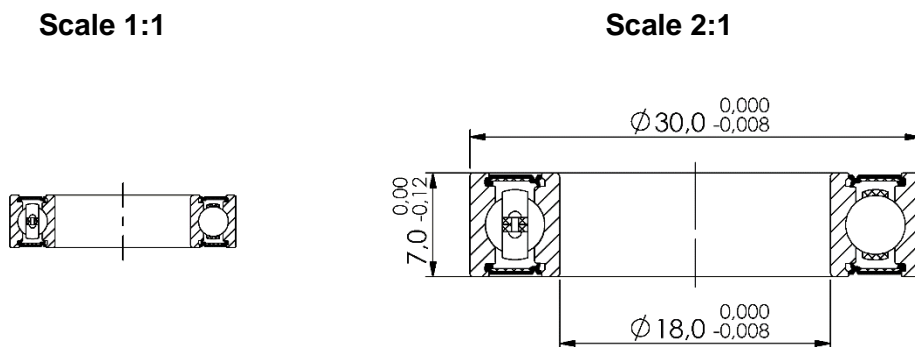


Marwi item: CB-110
Standard bearing number: MR18307 2RS
Dimension (mm): 18 x 30 x 7



Technical specifications:

Races:	CrMo
Balls:	CrMo (HRC 61-66)
Retainer:	Steel
Sealing:	Rubber LLB (non contact)
Grease:	Multemp SRL (Kyodo Yushi)
Tolerance:	ABEC-3
Quantity of balls:	11 pcs
Dimension of balls:	3,969mm (17/64")
Basic dynamic load rating:	3,185 kN
Basic static load rating:	1,333 kN

Applications:

Hub / wheel: DT Swiss and many other brands