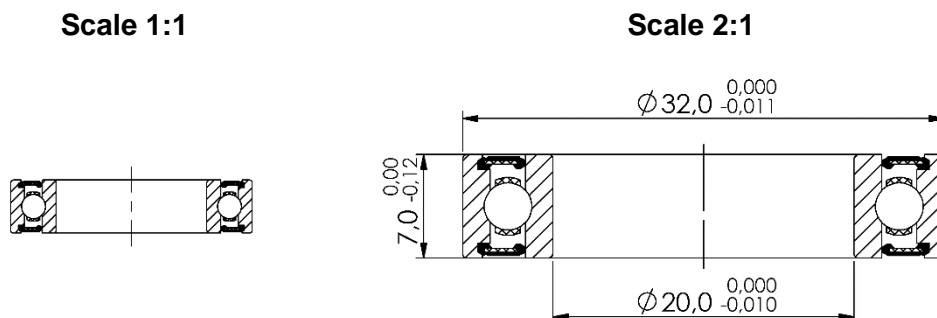


Marwi item: CB-132
Standard bearing number: 6804 2RS
Dimension (mm): 20 x 32 x 7



Technical specifications:

Races:	CrMo
Balls:	CrMo (HRC 61-66)
Retainer:	Steel
Sealing:	Rubber 2RS (light contact)
Grease:	Multemp SRL (Kyodo Yushi)
Tolerance:	ABEC-3
Quantity of balls:	14 pcs
Dimension of balls:	3,9175mm (1/8")
Basic dynamic load rating:	4,000 kN
Basic static load rating:	2,470 kN

Applications:

Hub / wheel:	Giant, Novatec, FSA, Easton, Stan's, Hope, Goldtec, Industry9 and many other brands
Frame (suspension pivot):	Lapierre, Santacruz, Transition, Commencal and many other brands