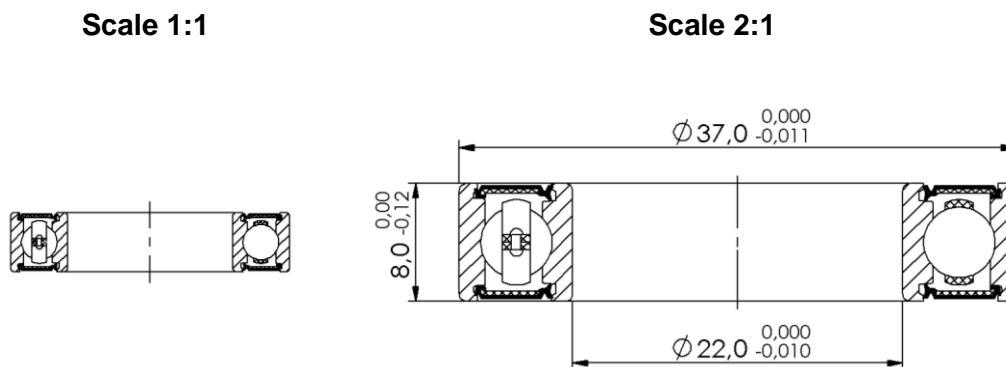


**Marwi item:** CB-141  
**Standard bearing number:** MR22378 2RS  
**Dimension (mm):** 22 x 37 x 8



### Technical specifications:

<b>Races:</b>	CrMo
<b>Balls:</b>	CrMo (HRC 61-66)
<b>Retainer:</b>	Steel
<b>Sealing:</b>	Rubber LLU (full contact)
<b>Grease:</b>	Multemp SRL (Kyodo Yushi)
<b>Tolerance:</b>	ABEC-3
<b>Quantity of balls:</b>	11 pcs
<b>Dimension of balls:</b>	4,763mm (3/16")
<b>Basic dynamic load rating:</b>	6,400 kN
<b>Basic static load rating:</b>	3,700 kN

### Applications:

**Bottom bracket:** Various brands