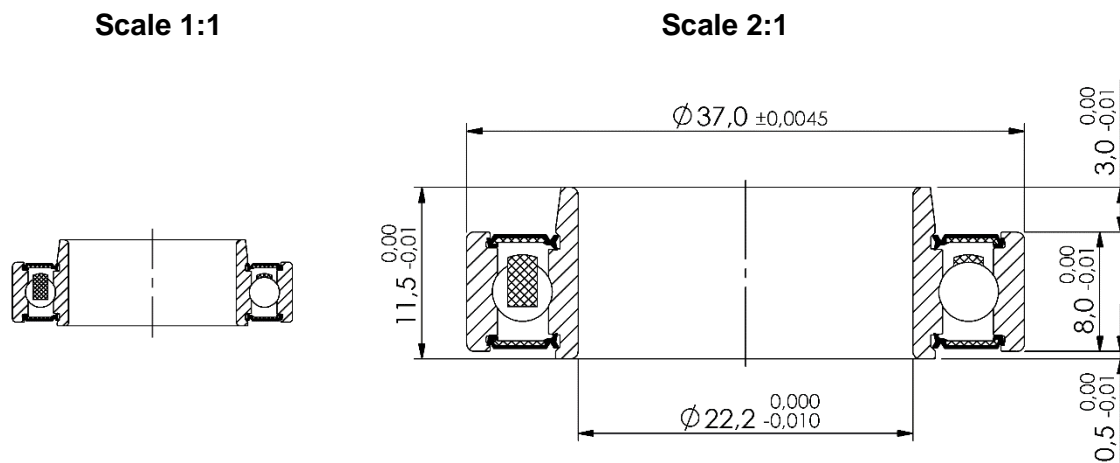


**Marwi item:** CB-145  
**Standard bearing number:** MR22378B 2RS  
**Dimension (mm):** 22 x 37 x 8/11.5



### Technical specifications:

Races:	CrMo
Balls:	CrMo (HRC 61-66)
Retainer:	Steel
Sealing:	Rubber 2RS (light contact)
Grease:	Multemp SRL (Kyodo Yushi)
Tolerance:	ABEC-3
Quantity of balls:	11 pcs
Dimension of balls:	3,969mm (5/32")
Basic dynamic load rating:	6,360 kN
Basic static load rating:	3,710 kN

### Applications:

**Bottom bracket:** SRAM/GXP (3.0mm extension on one side and 0.5mm extension on the other side)