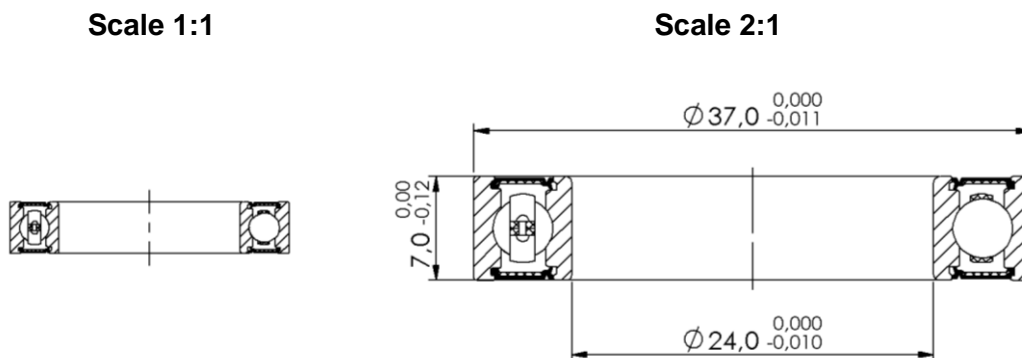


Marwi item: CB-160
Standard bearing number: MR24377 2RS
Dimension (mm): 24 x 37 x 7



Technical specifications:

Races:	CrMo
Balls:	CrMo (HRC 61-66)
Retainer:	Steel
Sealing:	Rubber LLU (full contact)
Grease:	Multemp SRL (Kyodo Yushi)
Tolerance:	ABEC-3
Quantity of balls:	14 pcs
Dimension of balls:	3,969mm (5/32")
Basic dynamic load rating:	2,764 kN
Basic static load rating:	1,872 kN

Applications:

Bottom bracket: Hope BB, Trek BB90 and many other brands