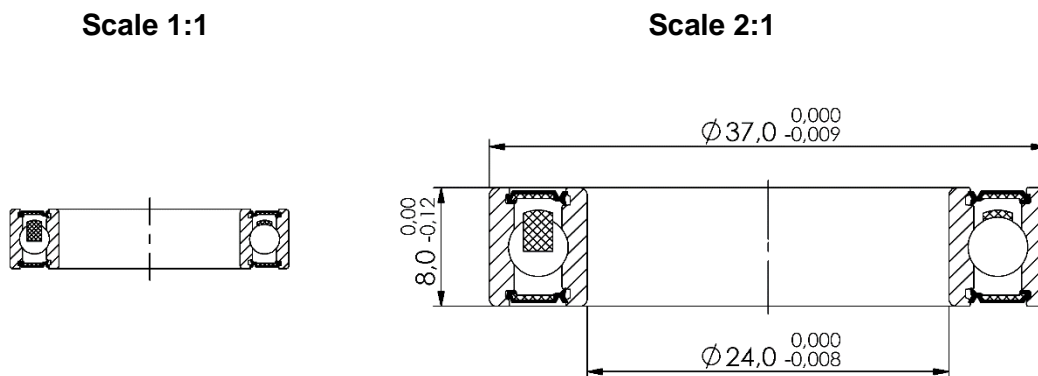


Marwi item: CB-162
Standard bearing number: MR24378 2RS
Dimension (mm): 24 x 37 x 8



Technical specifications:

Races:	CrMo
Balls:	CrMo (HRC 61-66)
Retainer:	Steel
Sealing:	Rubber 2RS (light contact)
Grease:	Multemp SRL (Kyodo Yushi)
Tolerance:	ABEC-3
Quantity of balls:	13 pcs
Dimension of balls:	3,969mm (3/16")
Basic dynamic load rating:	3,840 kN
Basic static load rating:	2,787 kN

Applications:

Bottom bracket: GXP and some other brands