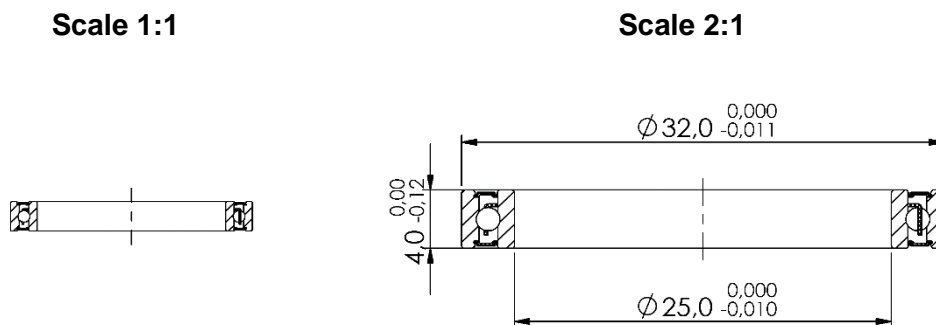


**Marwi item:** CB-170  
**Standard bearing number:** 6705 2RS  
**Dimension (mm):** 25 x 32 x 4



### Technical specifications:

<b>Races:</b>	CrMo
<b>Balls:</b>	CrMo (HRC 61-66)
<b>Retainer:</b>	Steel
<b>Sealing:</b>	Rubber 2RS (light contact)
<b>Grease:</b>	Multemp SRL (Kyodo Yushi)
<b>Tolerance:</b>	ABEC-3
<b>Quantity of balls:</b>	21 pcs
<b>Dimension of balls:</b>	1,588mm (1/16")
<b>Basic dynamic load rating:</b>	1,090 kN
<b>Basic static load rating:</b>	0,830 kN

### Applications:

**Bottom bracket:** Various brands