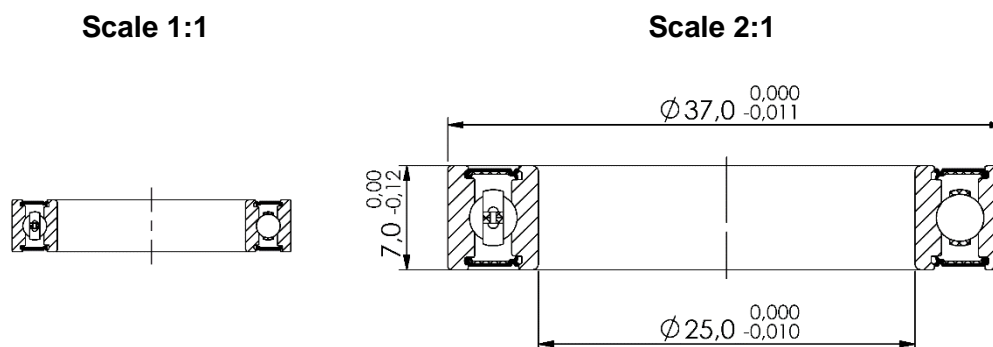


Marwi item: CB-172
Standard bearing number: 6805 2RS
Dimension (mm): 25 x 37 x 7



Technical specifications:

Races:	CrMo
Balls:	CrMo (HRC 61-66)
Retainer:	Steel
Sealing:	Rubber 2RS (light contact)
Grease:	Multemp SRL (Kyodo Yushi)
Tolerance:	ABEC-3
Quantity of balls:	15 pcs
Dimension of balls:	3,5mm
Basic dynamic load rating:	4,300 kN
Basic static load rating:	2,940 kN

Applications:

Hub / wheel:	Mavic, WTB, Easton, American Classic and many other brands
Bottom bracket:	Race Face BB and many other brands
Frame (suspension pivot):	Several MTB brands