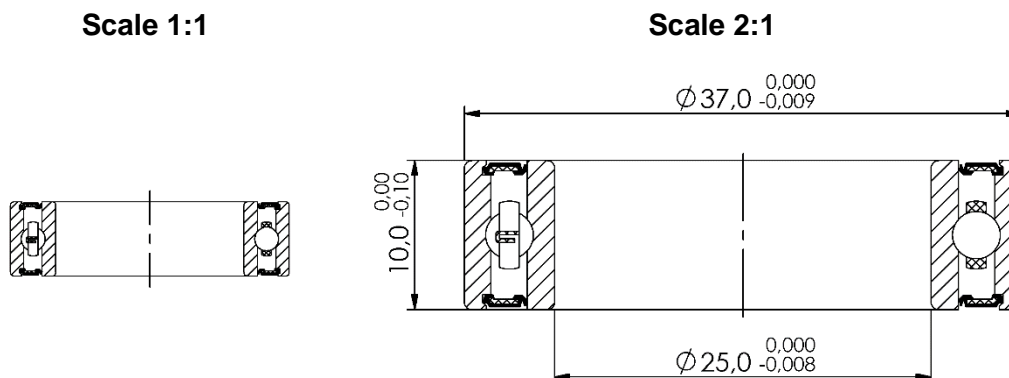


Marwi item: CB-174
Standard bearing number: 63805 2RS
Dimension (mm): 25 x 37 x 10



Technical specifications:

Races:	CrMo
Balls:	CrMo (HRC 61-66)
Retainer:	Steel
Sealing:	Rubber 2RS (light contact)
Grease:	Multemp SRL (Kyodo Yushi)
Tolerance:	ABEC-3
Quantity of balls:	16 pcs
Dimension of balls:	3,175mm (1/8")
Basic dynamic load rating:	3,680 kN
Basic static load rating:	2,550 kN

Applications:

Bottom bracket:	Various brands
Frame (suspension pivot):	Various brands