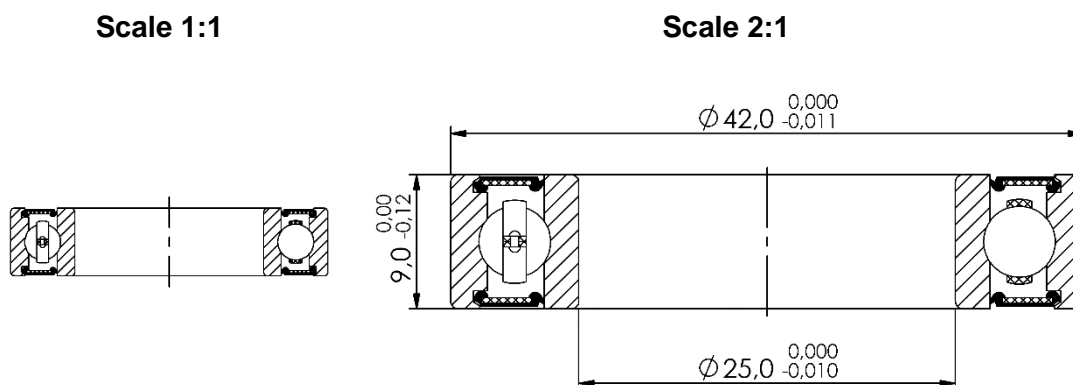


Marwi item: CB-176
Standard bearing number: 6905 2RS
Dimension (mm): 25 x 42 x 9



Technical specifications:

Races:	CrMo
Balls:	CrMo (HRC 61-66)
Retainer:	Steel
Sealing:	Rubber 2RS (light contact)
Grease:	Multemp SRL (Kyodo Yushi)
Tolerance:	ABEC-3
Quantity of balls:	12 pcs
Dimension of balls:	4,763mm (3/32")
Basic dynamic load rating:	6,670 kN
Basic static load rating:	4,180 kN

Applications:

Hub / wheel:	Various BMX brands
Bottom bracket:	Various brands
Frame (suspension pivot):	Various brands