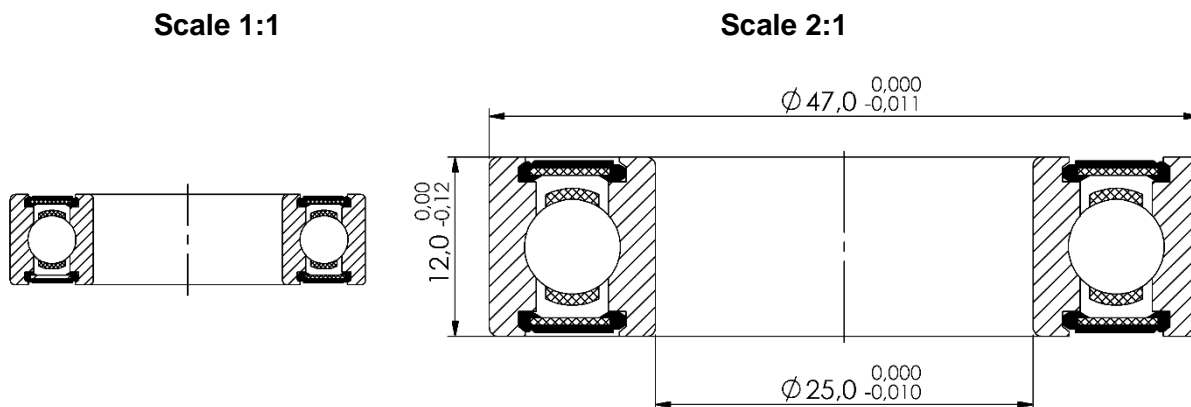


**Marwi item:** CB-178  
**Standard bearing number:** 6005 2RS  
**Dimension (mm):** 25 x 47 x 12



### Technical specifications:

<b>Races:</b>	CrMo
<b>Balls:</b>	CrMo (HRC 61-66)
<b>Retainer:</b>	Steel
<b>Sealing:</b>	Rubber 2RS (light contact)
<b>Grease:</b>	Multemp SRL (Kyodo Yushi)
<b>Tolerance:</b>	ABEC-3
<b>Quantity of balls:</b>	10 pcs
<b>Dimension of balls:</b>	6,350mm (1/4")
<b>Basic dynamic load rating:</b>	10,100 kN
<b>Basic static load rating:</b>	5,850 kN

### Applications:

**Hub / wheel:** Various brands