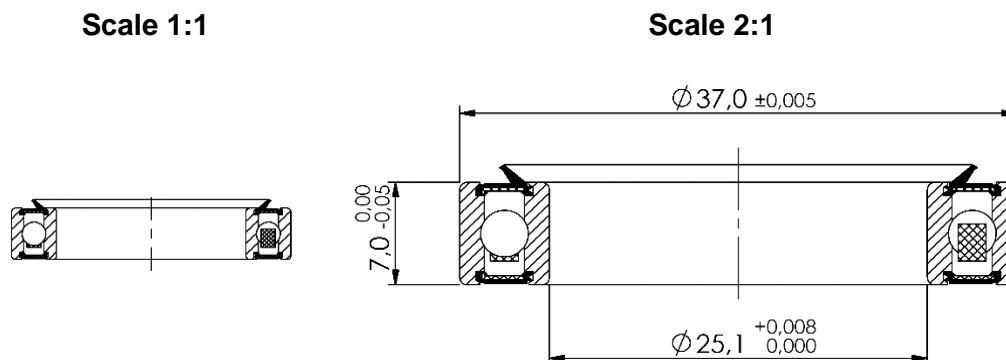


**Marwi item:** CB-180  
**Standard bearing number:** 6805B 2RS  
**Dimension (mm):** 25.1 x 37 x 7



### Technical specifications:

<b>Races:</b>	CrMo
<b>Balls:</b>	CrMo (HRC 61-66)
<b>Retainer:</b>	Steel
<b>Sealing:</b>	Rubber 2RS (light contact)
<b>Grease:</b>	Multemp SRL (Kyodo Yushi)
<b>Tolerance:</b>	ABEC-3
<b>Quantity of balls:</b>	16 pcs
<b>Dimension of balls:</b>	3,175mm (1/8")
<b>Basic dynamic load rating:</b>	2,819 kN
<b>Basic static load rating:</b>	2,428 kN

### Applications:

<b>Hub / wheel:</b>	Various brands
<b>Bottom bracket:</b>	Various brands