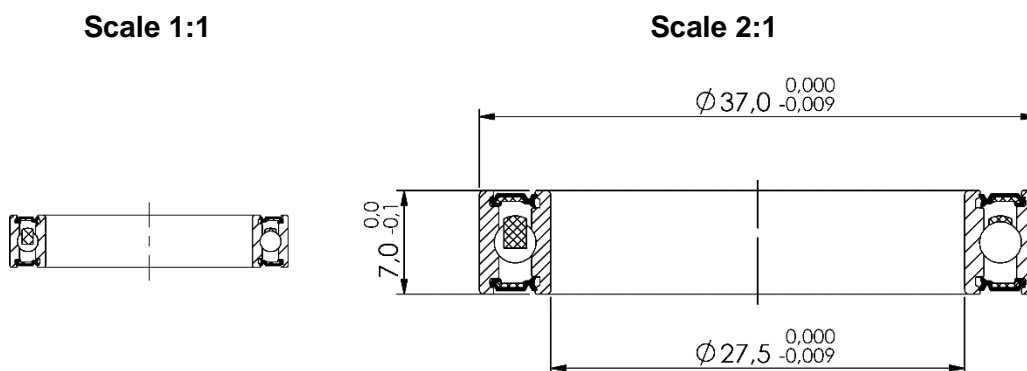


Marwi item: CB-190
Standard bearing number: MR27537 2RS
Dimension (mm): 27.5 x 37 x 7



Technical specifications:

Races:	CrMo
Balls:	CrMo (HRC 61-66)
Retainer:	Steel
Sealing:	Rubber 2RS (light contact)
Grease:	Multemp SRL (Kyodo Yushi)
Tolerance:	ABEC-3
Quantity of balls:	19 pcs
Dimension of balls:	2,778mm (7/64")
Basic dynamic load rating:	3,130 kN
Basic static load rating:	2,410 kN

Applications:

Hub / wheel:	SRAM Predictive Steering
Bottom bracket:	Various brands