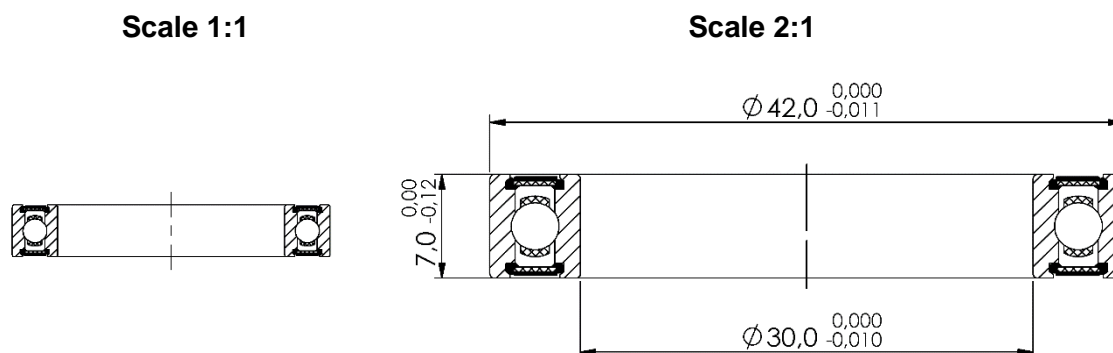


**Marwi item:** CB-212  
**Standard bearing number:** 6806 2RS  
**Dimension (mm):** 30 x 42 x 7



### Technical specifications:

Races:	CrMo
Balls:	CrMo (HRC 61-66)
Retainer:	Steel
Sealing:	Rubber 2RS (light contact)
Grease:	Multemp SRL (Kyodo Yushi)
Tolerance:	ABEC-3
Quantity of balls:	19 pcs
Dimension of balls:	3,175mm (1/8")
Basic dynamic load rating:	4,700 kN
Basic static load rating:	3,650 kN

### Applications:

Hub / wheel:	Various brands
Bottom bracket:	BB30 and many other brands
Frame (suspension pivot):	Various brands
Headset:	Pinarello ( <i>non tapered 1 1/8" headset</i> )