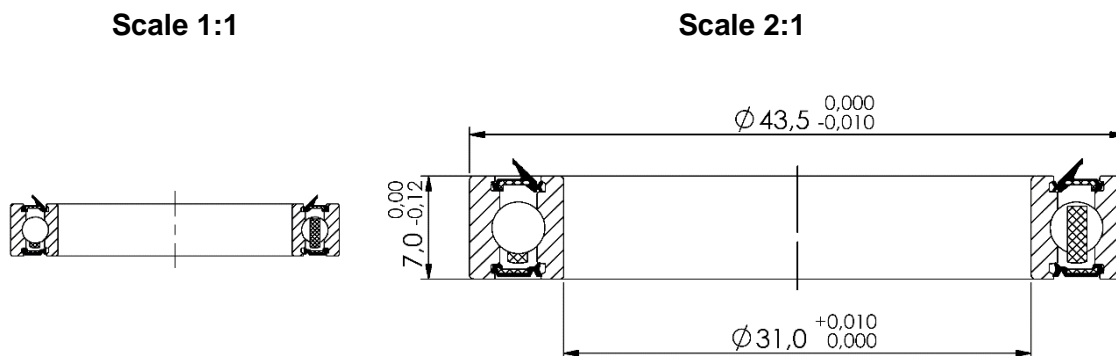


Marwi item: CB-230
Standard bearing number: MR314357 2RS
Dimension (mm): 31 x 43.5 x 7



Technical specifications:

Races:	CrMo
Balls:	CrMo (HRC 61-66)
Retainer:	Steel
Sealing:	Rubber 2RS (light contact)
Grease:	Multemp SRL (Kyodo Yushi)
Tolerance:	ABEC-3
Quantity of balls:	18 pcs
Dimension of balls:	3,5mm
Basic dynamic load rating:	4,700 kN
Basic static load rating:	3,600 kN

Applications:

Bottom bracket: Various brands