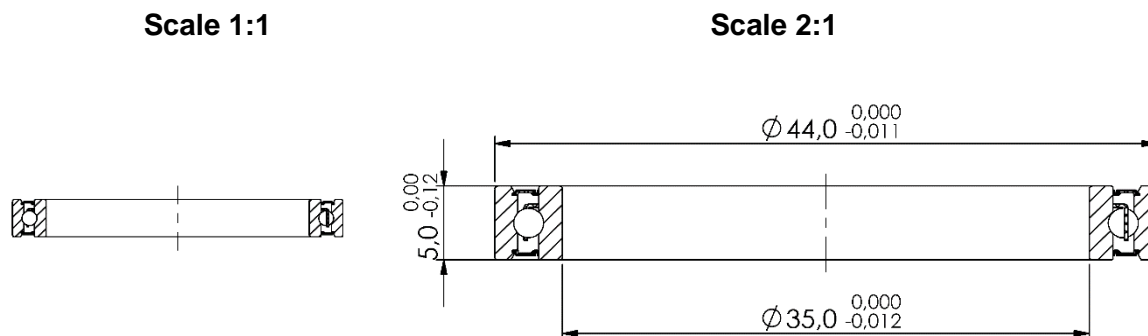


**Marwi item:** CB-240  
**Standard bearing number:** 6707 2RS  
**Dimension (mm):** 35 x 44 x 5



### Technical specifications:

Races:	CrMo
Balls:	CrMo (HRC 61-66)
Retainer:	Steel
Sealing:	Rubber 2RS (light contact)
Grease:	Multemp SRL (Kyodo Yushi)
Tolerance:	ABEC-3
Quantity of balls:	25 pcs
Dimension of balls:	2,0mm
Basic dynamic load rating:	1,850 kN
Basic static load rating:	1,630 kN

### Applications:

Bottom bracket:	Various brands
Headset:	Canyon Acros AI-70