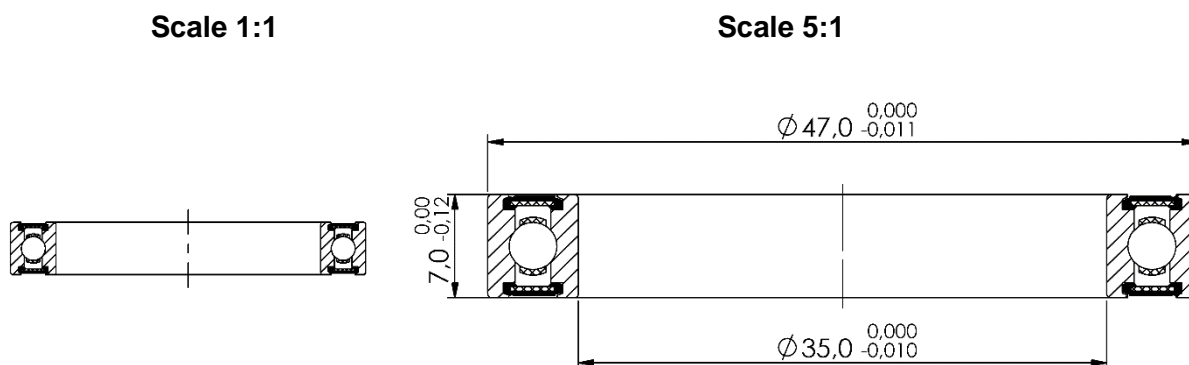


Marwi item: CB-244
Standard bearing number: 6807 2RS
Dimension (mm): 35 x 47 x 7



Technical specifications:

Races:	CrMo
Balls:	CrMo (HRC 61-66)
Retainer:	Steel
Sealing:	Rubber 2RS (light contact)
Grease:	Multemp SRL (Kyodo Yushi)
Tolerance:	ABEC-3
Quantity of balls:	22 pcs
Dimension of balls:	3,175mm (1/8")
Basic dynamic load rating:	4,900 kN
Basic static load rating:	4,050 kN

Applications:

Hub / wheel:	Various brands
Bottom bracket:	Various brands
Frame (suspension pivot):	Various brands
Headset:	Pinarello (<i>non tapered 1 1/4" headset</i>)