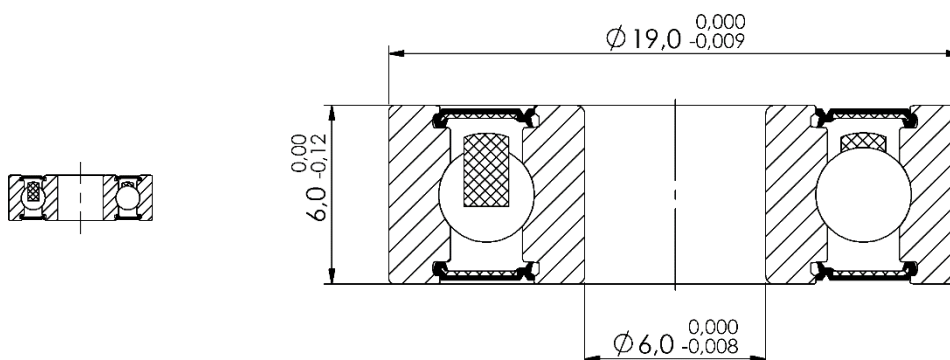


Marwi item: CB-308
Standard bearing number: 626 ceramic LLB
Dimension (mm): 6 x 19 x 6

Scale 1:1

Scale 4:1



Technical specifications:

Races:	CrMo
Balls:	Si ₃ N ₄ Silicon Nitride (HRC 75-89)
Retainer:	Nylon
Sealing:	Rubber LBB (non contact)
Grease:	Multemp PS2 (Kyodo Yushi)
Tolerance:	ABEC-5
Quantity of balls:	7 pcs
Dimension of balls:	3,175mm (1/8")
Basic dynamic load rating:	2,340 kN
Basic static load rating:	0,885 kN

Applications:

Pedal: Various brands