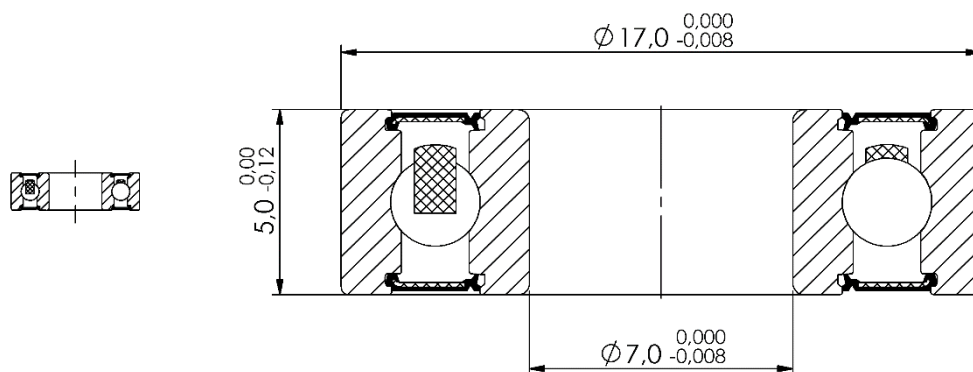


Marwi item: CB-311
Standard bearing number: 697 ceramic LLB
Dimension (mm): 7 x 17 x 5

Scale 1:1

Scale 5:1



Technical specifications:

Races:	CrMo
Balls:	Si ₃ N ₄ Silicon Nitride (HRC 75-89)
Retainer:	Nylon
Sealing:	Rubber LBB (non contact)
Grease:	Multemp PS2 (Kyodo Yushi)
Tolerance:	ABEC-5
Quantity of balls:	9 pcs
Dimension of balls:	2,381mm (3/32")
Basic dynamic load rating:	1,605 kN
Basic static load rating:	0,719 kN

Applications:

Pedal:	Various brands
Pulley:	Various brands