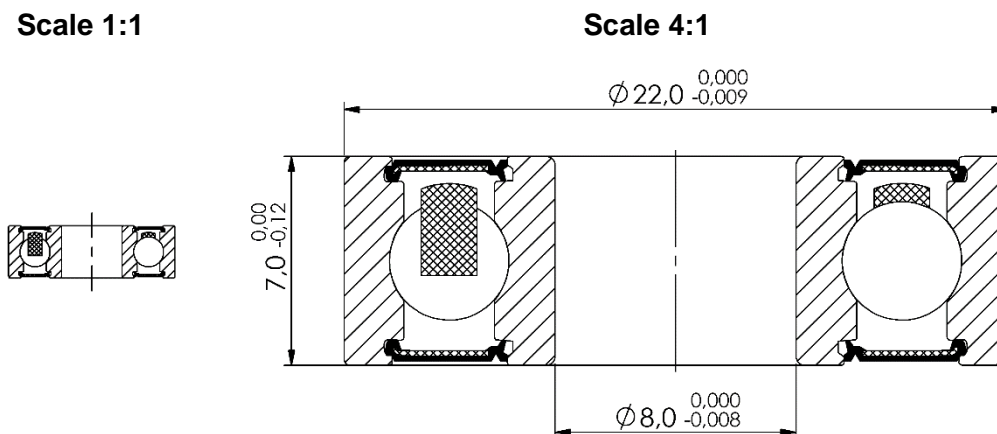


Marwi item: CB-320
Standard bearing number: 608 ceramic LLB
Dimension (mm): 8 x 22 x 7



Technical specifications:

Races:	CrMo
Balls:	Si ₃ N ₄ Silicon Nitride (HRC 75-89)
Retainer:	Nylon
Sealing:	Rubber LBB (non contact)
Grease:	Multemp PS2 (Kyodo Yushi)
Tolerance:	ABEC-5
Quantity of balls:	7 pcs
Dimension of balls:	3,969mm (5/32")
Basic dynamic load rating:	3,350 kN
Basic static load rating:	1,400 kN

Applications:

Hub / wheel:	Mavic, Novatec and many other brands
Pulley:	Various brands