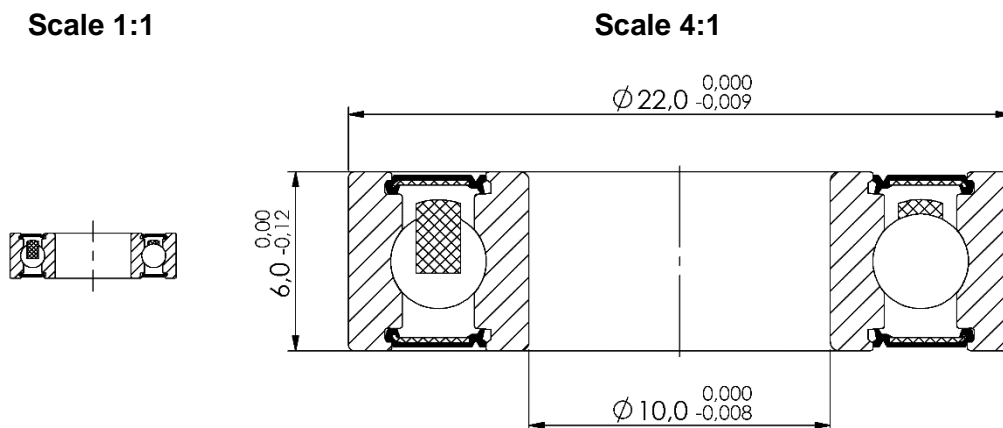


**Marwi item:** CB-326  
**Standard bearing number:** 6900 ceramic LLB  
**Dimension (mm):** 10 x 22 x 6



### Technical specifications:

<b>Races:</b>	CrMo
<b>Balls:</b>	Si <sub>3</sub> N <sub>4</sub> Silicon Nitride (HRC 75-89)
<b>Retainer:</b>	Nylon
<b>Sealing:</b>	Rubber LBB (non contact)
<b>Grease:</b>	Multemp PS2 (Kyodo Yushi)
<b>Tolerance:</b>	ABEC-5
<b>Quantity of balls:</b>	9 pcs
<b>Dimension of balls:</b>	3,175mm (1/8")
<b>Basic dynamic load rating:</b>	2,490 kN
<b>Basic static load rating:</b>	1,130 kN

### Applications:

**Hub / wheel:** FSA, Stan's, HED and many other brands