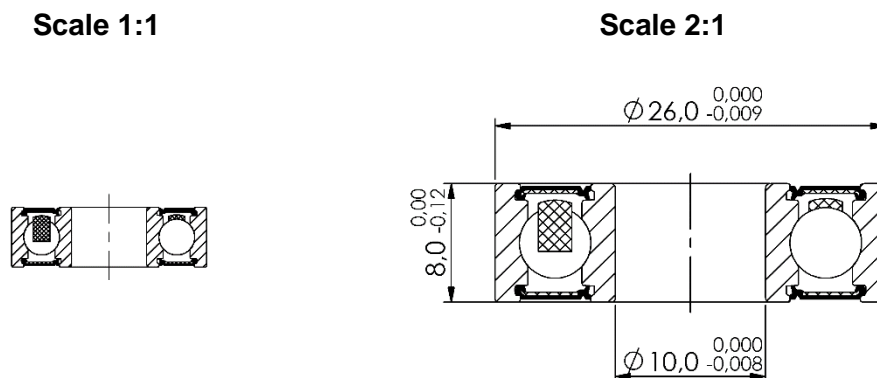


Marwi item: CB-329
Standard bearing number: 6000 ceramic LLB
Dimension (mm): 10 x 26 x 8



Technical specifications:

Races:	CrMo
Balls:	Si ₃ N ₄ Silicon Nitride (HRC 75-89)
Retainer:	Nylon
Sealing:	Rubber LBB (non contact)
Grease:	Multemp PS2 (Kyodo Yushi)
Tolerance:	ABEC-5
Quantity of balls:	7 pcs
Dimension of balls:	4,763mm (3/16")
Basic dynamic load rating:	4,550 kN
Basic static load rating:	1,970 kN

Applications:

Hub / wheel: Mavic, DT Swiss, FSA, Bontrager, Easton, Stan's, On-One and many other brands