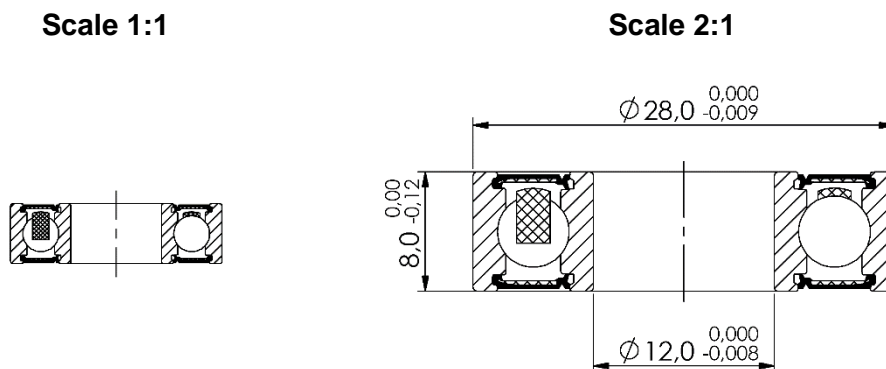


Marwi item: CB-338
Standard bearing number: 6001 ceramic LLB
Dimension (mm): 12 x 28 x 8



Technical specifications:

Races:	CrMo
Balls:	Si ₃ N ₄ Silicon Nitride (HRC 75-89)
Retainer:	Nylon
Sealing:	Rubber LBB (non contact)
Grease:	Multemp PS2 (Kyodo Yushi)
Tolerance:	ABEC-5
Quantity of balls:	8 pcs
Dimension of balls:	4,763mm (3/16")
Basic dynamic load rating:	5,100 kN
Basic static load rating:	2,370 kN

Applications:

Hub / wheel: Mavic, Campagnolo, Sturmey Archer, HED, Hope, Fulcrum, Planet-X and many more brands