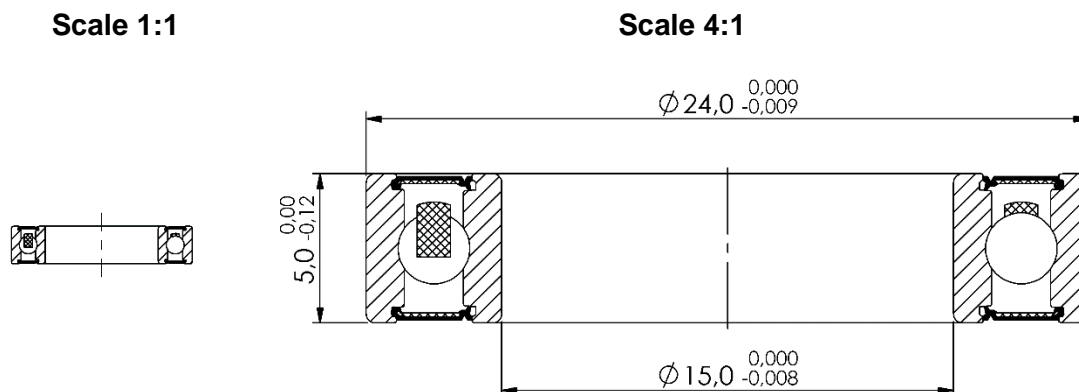


Marwi item: CB-341
Standard bearing number: 6802 ceramic LLB
Dimension (mm): 15 x 24 x 5



Technical specifications:

Races:	CrMo
Balls:	Si ₃ N ₄ Silicon Nitride (HRC 75-89)
Retainer:	Nylon
Sealing:	Rubber LBB (non contact)
Grease:	Multemp PS2 (Kyodo Yushi)
Tolerance:	ABEC-5
Quantity of balls:	14 pcs
Dimension of balls:	2,381mm (3/32")
Basic dynamic load rating:	2,070 kN
Basic static load rating:	1,260 kN

Applications:

Hub / wheel: DT Swiss, Mavic, Specialized, Bontrager, SRAM, Hope, Stan's, Reynolds, Zipp and many other brands