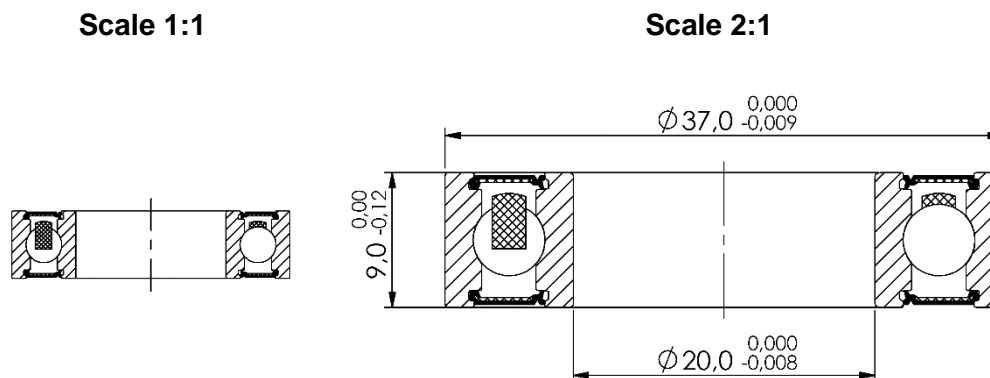


Marwi item: CB-368
Standard bearing number: 6904 ceramic LLB
Dimension (mm): 20 x 37 x 9



Technical specifications:

Races:	CrMo
Balls:	Si ₃ N ₄ Silicon Nitride (HRC 75-89)
Retainer:	Nylon
Sealing:	Rubber LBB (non contact)
Grease:	Multemp PS2 (Kyodo Yushi)
Tolerance:	ABEC-5
Quantity of balls:	11 pcs
Dimension of balls:	4,763mm (3/16")
Basic dynamic load rating:	6,400 kN
Basic static load rating:	3,700 kN

Applications:

Hub / wheel: Various brands