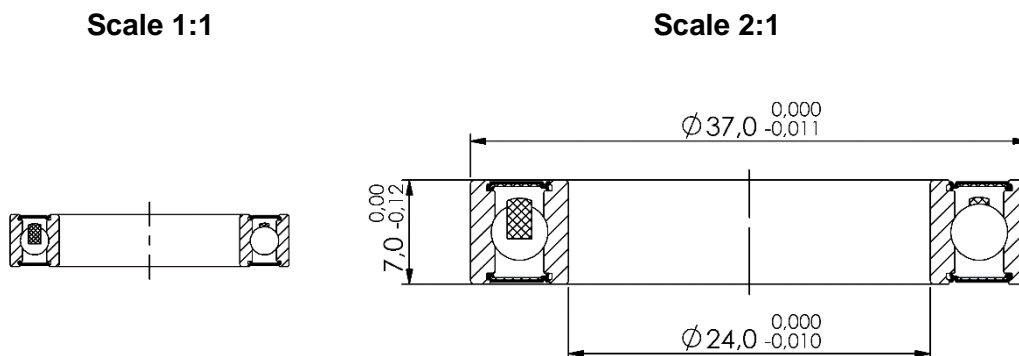


**Marwi item:** CB-371  
**Standard bearing number:** MR24377 ceramic LLB  
**Dimension (mm):** 24 x 37 x 7



### Technical specifications:

Races:	CrMo
Balls:	Si <sub>3</sub> N <sub>4</sub> Silicon Nitride (HRC 75-89)
Retainer:	Nylon
Sealing:	Rubber LBB (non contact)
Grease:	Multemp PS2 (Kyodo Yushi)
Tolerance:	ABEC-5
Quantity of balls:	14 pcs
Dimension of balls:	3,969mm (5/32")
Basic dynamic load rating:	2,764 kN
Basic static load rating:	1,872 kN

### Applications:

**Bottom bracket:** Various brands