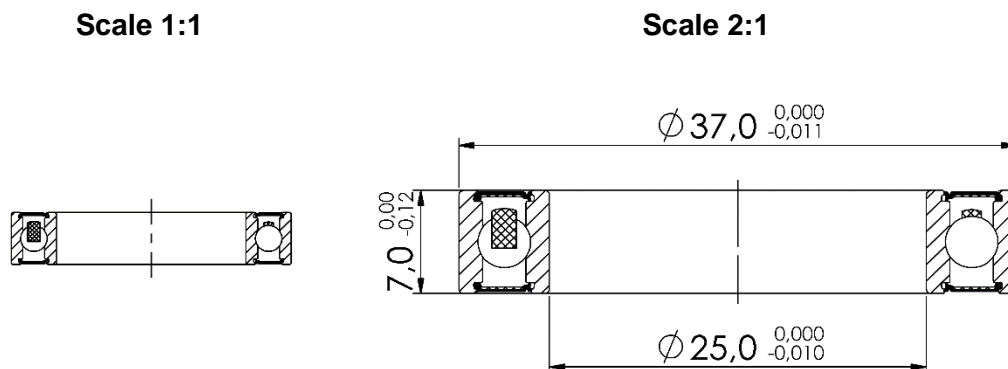


Marwi item: CB-374
Standard bearing number: 6805 ceramic LLB
Dimension (mm): 25 x 37 x 7



Technical specifications:

Races:	CrMo
Balls:	Si ₃ N ₄ Silicon Nitride (HRC 75-89)
Retainer:	Nylon
Sealing:	Rubber LBB (non contact)
Grease:	Multemp PS2 (Kyodo Yushi)
Tolerance:	ABEC-5
Quantity of balls:	16 pcs
Dimension of balls:	3,175mm (1/8")
Basic dynamic load rating:	4,300 kN
Basic static load rating:	2,940 kN

Applications:

Hub / wheel:	Mavic, WTB, Easton, American Classic and many other brands
Bottom bracket:	Race Face BB and many other brands