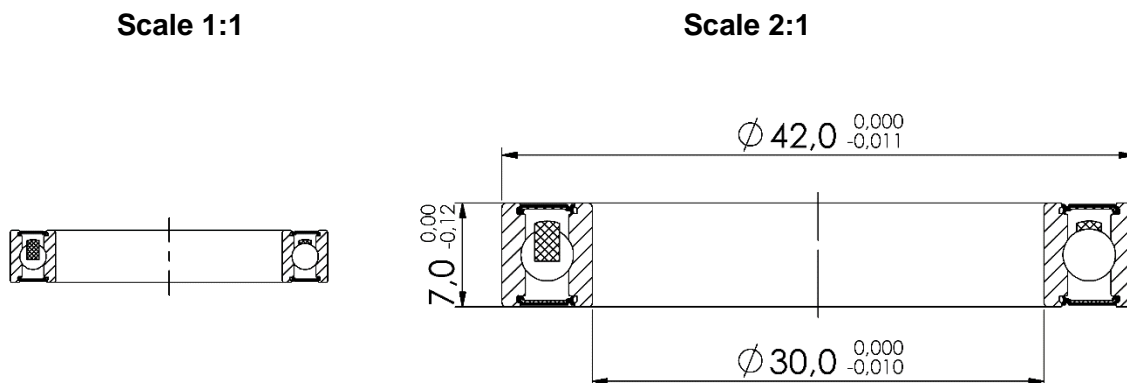


**Marwi item:** CB-377  
**Standard bearing number:** 6806 ceramic LLB  
**Dimension (mm):** 30 x 42 x 7



### Technical specifications:

|                                   |  |
|-----------------------------------|--|
| <b>Races:</b>                     | CrMo   |
| <b>Balls:</b>                     | Si <sub>3</sub> N <sub>4</sub> Silicon Nitride (HRC 75-89) |
| <b>Retainer:</b>                  | Nylon  |
| <b>Sealing:</b>                   | Rubber LBB (non contact)                                   |
| <b>Grease:</b>                    | Multemp PS2 (Kyodo Yushi)                                  |
| <b>Tolerance:</b>                 | ABEC-5   |
| <b>Quantity of balls:</b>         | 19 pcs   |
| <b>Dimension of balls:</b>        | 4,700mm (1/8")   |
| <b>Basic dynamic load rating:</b> | 1,082 kN   |
| <b>Basic static load rating:</b>  | 3,650 kN   |

### Applications:

**Bottom bracket:** Various brands