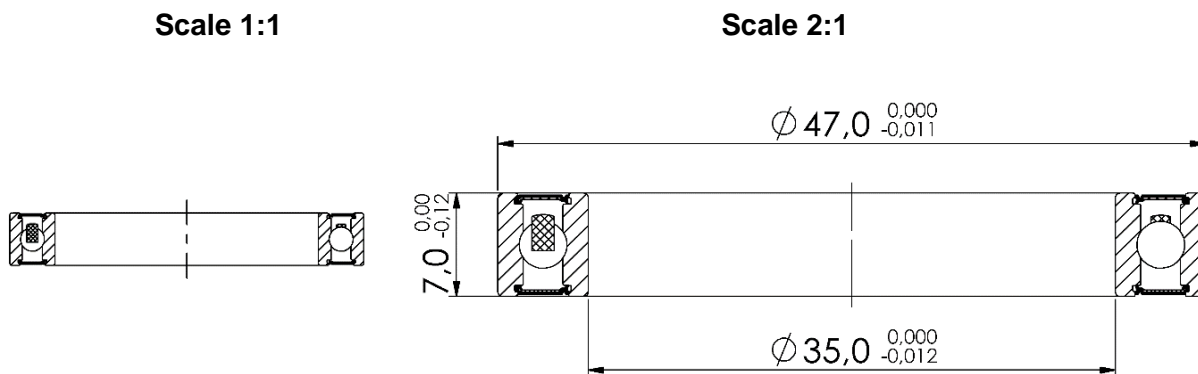


**Marwi item:** CB-380  
**Standard bearing number:** 6807 ceramic LLB  
**Dimension (mm):** 35 x 47 x 7



### Technical specifications:

<b>Races:</b>	CrMo
<b>Balls:</b>	Si <sub>3</sub> N <sub>4</sub> Silicon Nitride (HRC 75-89)
<b>Retainer:</b>	Nylon
<b>Sealing:</b>	Rubber LBB (non contact)
<b>Grease:</b>	Multemp PS2 (Kyodo Yushi)
<b>Tolerance:</b>	ABEC-5
<b>Quantity of balls:</b>	22 pcs
<b>Dimension of balls:</b>	3,175mm (1/8")
<b>Basic dynamic load rating:</b>	4,900 kN
<b>Basic static load rating:</b>	4,050 kN

### Applications:

<b>Hub / wheel:</b>	Various brands
<b>Bottom bracket:</b>	Various brands