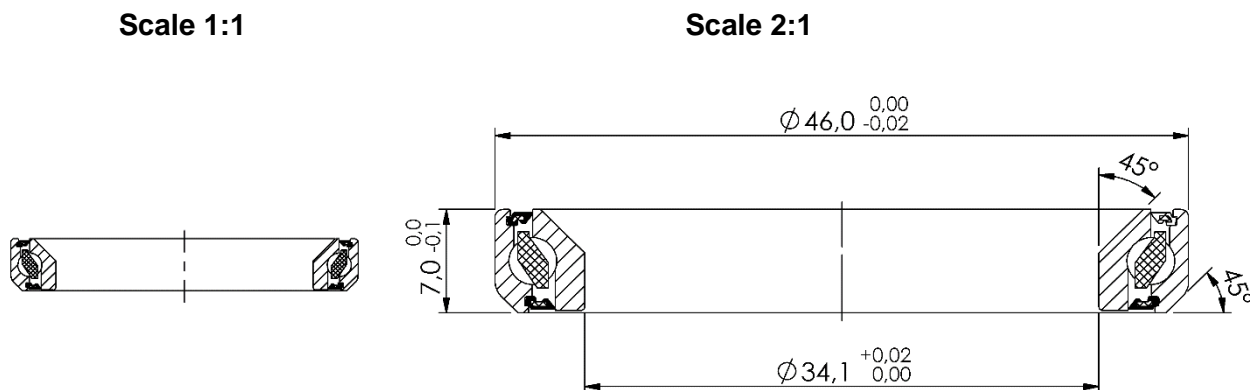


Marwi item: CB-751
Dimension (mm): 34,1 x 46,0 x 7,0
Angle: 45° / 45°



Technical specifications:

Races:	CrMo
Balls:	CrMo (HRC 61-66)
Retainer:	Nylon
Sealing:	Rubber LLU (full contact)
Grease:	Multemp SRL (Kyodo Yushi)
Tolerance:	ABEC-3
Quantity of balls:	28 pcs
Dimension of balls:	3,175mm (1/8")
Basic dynamic load rating:	3,500 kN
Basic static load rating:	3,100 kN

Applications:

Headset: Scott Foil, Scott Addict and various other brands