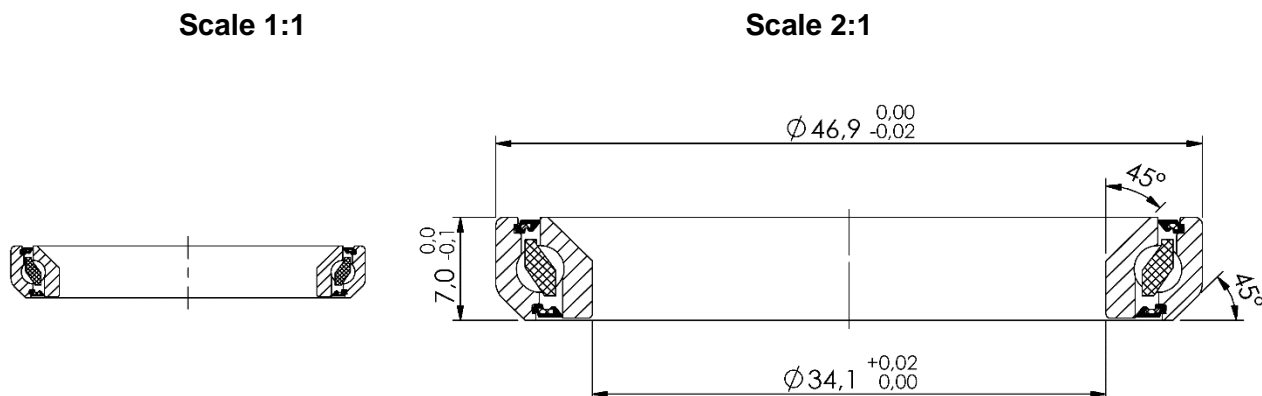


**Marwi item:** CB-755  
**Dimension (mm):** 34,1 x 46,9 x 7,0  
**Angle:** 45° / 45°



### Technical specifications:

<b>Races:</b>	CrMo
<b>Balls:</b>	CrMo (HRC 61-66)
<b>Retainer:</b>	Nylon
<b>Sealing:</b>	Rubber LLU (full contact)
<b>Grease:</b>	Multemp SRL (Kyodo Yushi)
<b>Tolerance:</b>	ABEC-3
<b>Quantity of balls:</b>	28 pcs
<b>Dimension of balls:</b>	3,175mm (1/8")
<b>Basic dynamic load rating:</b>	3,500 kN
<b>Basic static load rating:</b>	3,100 kN

### Applications:

**Headset:** Cannondale, Cube, Kuota and  
 Many more brands